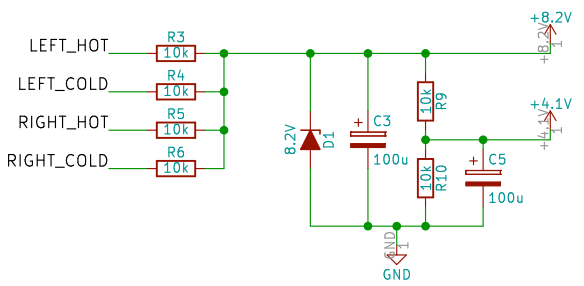
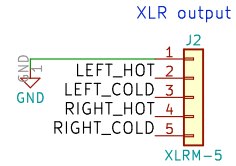
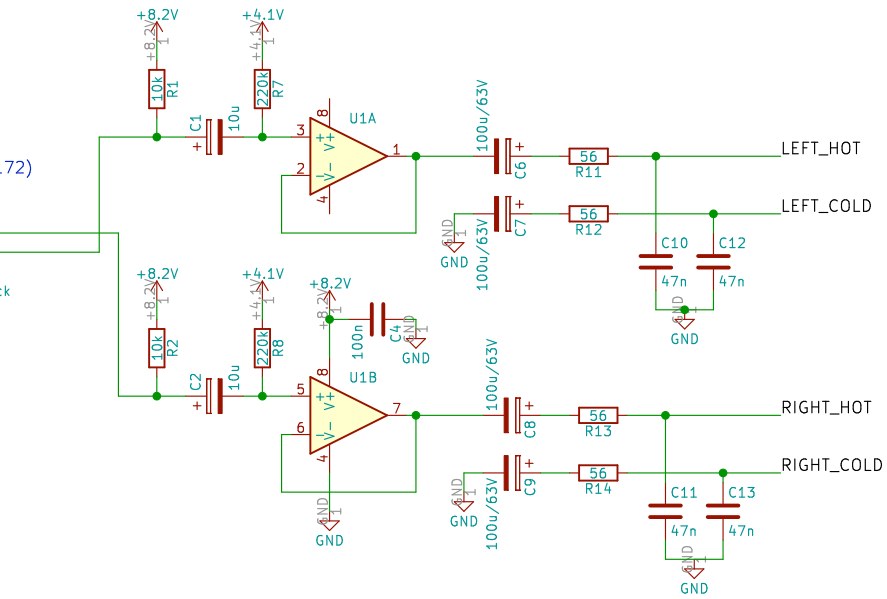
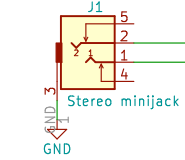


Electret capsule
input (e.g. 2x EM172)



Copyright 2017, 2018 Jonathan Green
making-sound.co.uk

Sheet: /
 File: electret_phantom_supply.sch

Title: Electret Phantom Power Supply

Size: A4	Date: 2018-01-09	Rev: Rev3
KiCad E.D.A. kicad 4.0.7		Id: 1/1